

## NA4901-RSR-XL

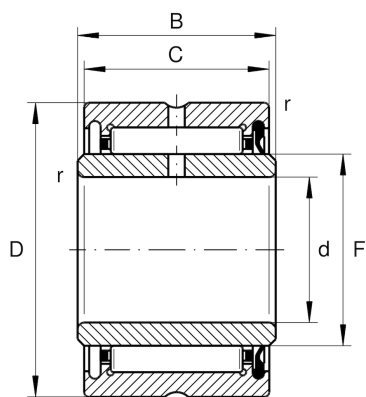
Needle roller bearing

Schaeffler ID:  
0507735000000

Needle roller bearings NA49..-RSR,  
dimension series 49, lip seal on one side

X-life

### Technical information



### Main Dimensions & Performance Data

d	12 mm	Bore diameter
D	24 mm	Outside diameter
B	14 mm	Width, inner ring
$C_r$	8,600 N	Basic dynamic load rating, radial
$C_{0r}$	8,300 N	Basic static load rating, radial
$C_{ur}$	1,660 N	Fatigue load limit, radial
$n_{G \text{ Grease}}$	13,900 1/min	Limiting speed for grease lubrication
	27.2 g	Weight

### Dimensions

F	16 mm	Raceway diameter inner ring
C	13 mm	Width, outer ring
$r_{\min}$	0.3 mm	Minimum chamfer dimension

### Temperature range

$T_{\min}$	-20 °C	Operating temperature min.
$T_{\max}$	100 °C	Operating temperature max.